



**MESA HYDRAULICA PARA LEVANTAR
MESA MOBIBLE DEL VECTOR**

**HYDRAULIC TABLE LIFT
MOBILE TABLE TRUCK
455KGS**



MANUAL DEL PROPIETARIO Y INSTRUCCIONES DE USO

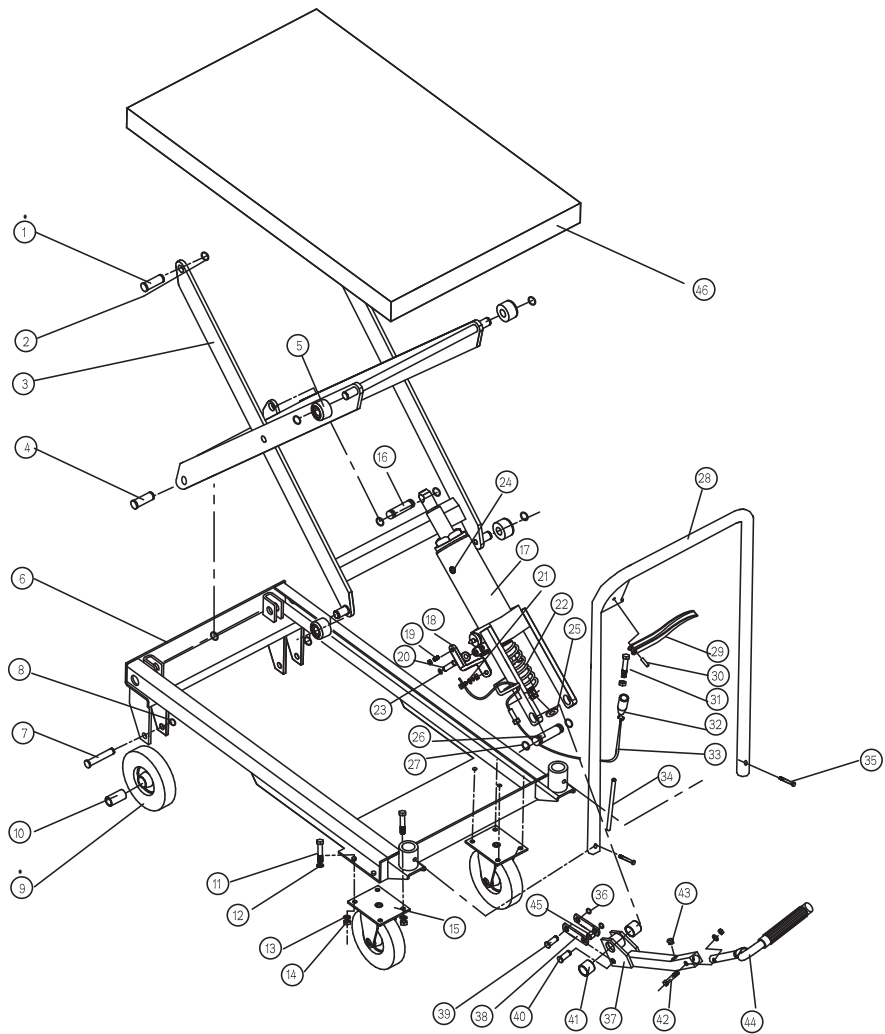


PARTS LIST

Part#	Description	QTY	Part#	Description	QTY
1	shaft	1	24	oil plug	1
2	snap ring	9	25	spring cap	1
3	lift frame	1	26	shaft	1
4	shaft	2	27	washer	2
5	pulley	4	28	handle	1
6	base assembly	1	29	brake handle	1
7	wheel pintle	2	30	pin	1
8	washer	3	31	bolt	1
9	front wheel	2	32	bolt sleeve	1
10	bushing	2	33	brake thread	1
11	bolt	8	34	thread sleeve	1
12	lock washer	19	35	bolt	2
13	spring cap	8	36	washer	2
14	nut	8	37	fting pedal assemb	2
15	caster assembly	2	38	connection plate	2
16	hinch pin	9	39	short pin	1
17	jack	1	40	cooter pin	1
18	elease valve link ba	1	41	shaft sleeve	2
19	ralease valve bolt	1	42	hex bolt	1
20	pin	1	43	bumper	1
21	bolt	1	44	lifting pedal	1
22	spring	1	45	small shaft sleeve	1
23	washer	1	46	toptable	1

main technical data

no.	description	data
1	capacity	455KGS
2	minimum height	280mm
3	maximum height	860mm



INTRODUCTION

Congratulations on your purchase of a Champion Power Equipment hydraulic lift table. With proper care this table should bring you years of service.

⚠ WARNING - Read, study and follow all instructions before operating this device. Failure to heed these instructions may result in personal injury and/or property damage.

Throughout this manual you will find the following symbols for caution, warning and danger. Pay particular attention to the notes preceded by these symbols as they are written for your safety. Ultimately, safe operation of this device rests with you, the operator.

⚠ CAUTION Indicates a potentially hazardous situation which, if not avoided, may result in minor or moderate injury. This notation is also used to alert against unsafe practices.

⚠ CAUTION Indicates a potentially hazardous situation which, if not avoided could result in death or serious injury.

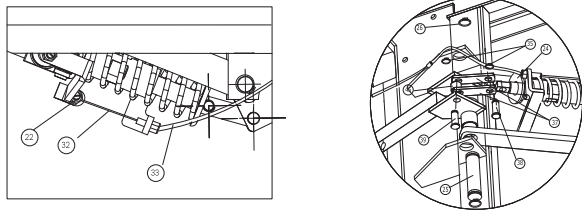
⚠ CAUTION If you find that the lifting range per stroke is too small: pls lift the table to 2/3 of the maximum height, then loosen oil plug and then tighten it.

LIFT TABLE MAIN COMPONENTS

DESCRIPTION	QUANTITY
1. Lift table Assembly	1
2. Lifting pedal	1
3. Handle Assembly	1

ASSEMBLY

1. Your CPE Hydraulic Table is almost completely assembled when you open it. To complete the assembly find the parts above enclosed with your table.
2. Place the Lifting Pedal (44) into the hole(37), secure with M8x25 to fixup.
3. Place the push Handle (28) into the tube of base assembly (6), secure with M8 x35 to fixup. With brake thread through the handle assembly and the hole on the base, then with bolt M8x20 to fixup on the release valve link bar.
4. Your assembly is complete! Use the rubber mat for the table top when needed.



SAFETY PRECAUTIONS

⚠️ WARNING ⚠️

- ⚠️ **WARNING - DO NOT EXCEED RATED CAPACITY.**
- ⚠️ **WARNING** - Do not use the Hydraulic Table in lifting or moving or persons.
- ⚠️ **WARNING** - This table was designed for use on hard, level surfaces capable of sustaining the load. Use on other than hard, level surfaces could result in load instability and possible loss of load resulting in property damage and personal injury.
- ⚠️ **DANGER** - Keep clear of the scissor lifting frame beneath the table for lifting or lowering operations. Scissor lifts have pinch areas between the frames which can cause serious injury if hands or feet are not well clear of this area.
- ⚠️ **WARNING** - Do not use attachments or adapters of any type to modify this lift.

- ⚠️ **WARNING** - Set the brakes on the rear casters when loading or unloading.
- ⚠️ **CAUTION** - When not in use the table shall be fully lowered. Lock in a safe, dry place and keep away from children.
- ⚠️ **CAUTION** - Do not over-reach. Keep loads evenly balance over the center of the table. Excessive loads on the top or sides of the table may be unstable with the danger of the table toppling over and causing injury or property damage.
- ⚠️ **WARNING** - Failure to heed these warning may result in personal injury and/or property damage.

GENERAL TIPS FOR SAFE OPERATION

1. Keep work area clean. Cluttered work areas invite injury. Do not use in damp, wet or poorly lit locations.
2. Keep table wiped down and clean. Do not expose to prolonged wet or corrosive conditions.
3. Cover the table and store it in a dry, protected environment.

MAINTAINNENCE

1. Periodically check the tightness of mounting bolts and electrical connections. Remove all dirt or corrosion and always keep clean.
2. Lubricate the wheels to maintain smooth roiling
3. Inspect all joints and bolts periodically. Remove from service if any cracking or if the frame is bent or deformed.