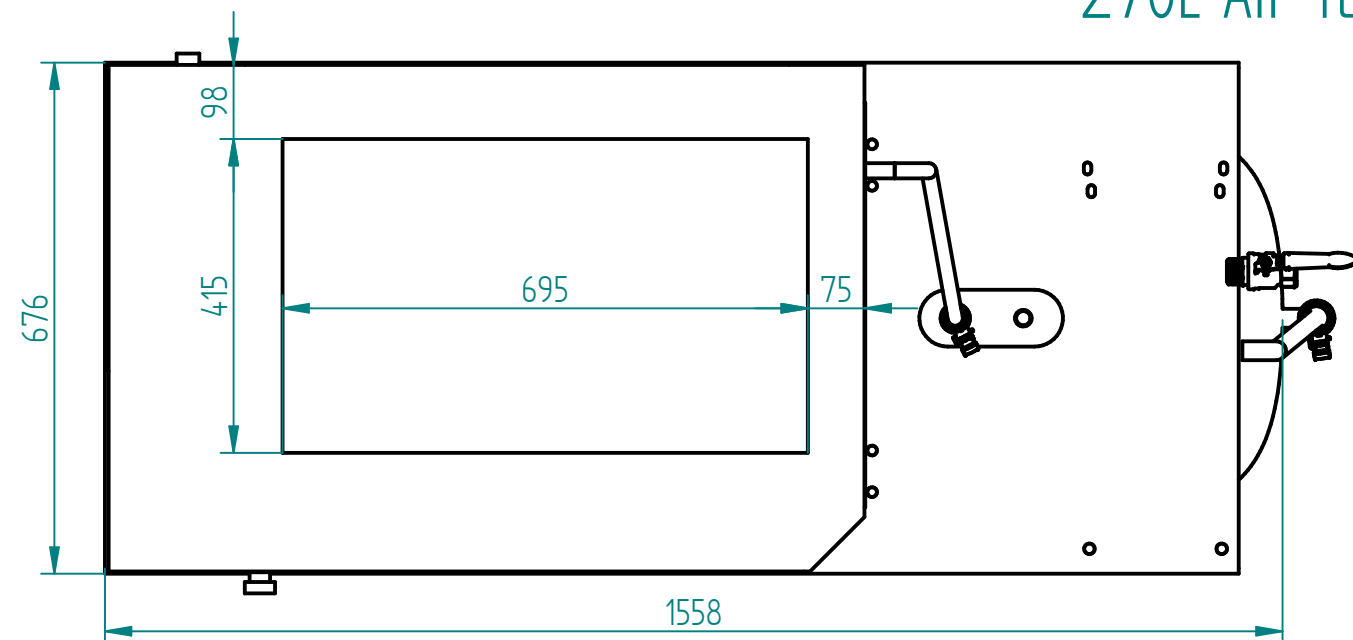



270L Air tank



Weight	390	Temperature conditions	5-45[°C]
Length	1645	Air connection	1"
Width	676	Power	18,92KW
Height	1765	Max pressure	10 bar
Air tank	270L	Dryer	RDL180
	NAME	DATE	Airpress 
DRAWN	eng. Antoni Bielawski	31.03.2026	
CHECKED	Wojciech Majewski		
ENG APPR	eng. Antoni Bielawski	31.03.2026	
MGR APPR			TITLE
UNLESS OTHERWISE SPECIFIED DIMENSIONS ARE IN MILLIMETERS ANGLES ±X.X° 2 PL ±X.XX 3 PL ±X.XXX			SIZE DWG NO REV . 1 1 FILE NAME: Air00000105-1.dft SCALE: 1:10 WEIGHT: SHEET 1